

YANMAR

PARTS CATALOG

Y00V5250

MODEL
L100AE-DGMS
L100AE-DEGMS

PUBLISHED July, 1997

PREFACE

1.This Parts Catalog carries all parts incorporated in YANMAR Model L100AE - DGMS & L100AE - DEGMS engines manufactured since JULY, 1997.

2.Each illustration corresponds to the parts list on the following page.

3.When ordering parts, clearly write down the engine model and serial number, as well as the name and number of each part in your order sheet. This will help insure reliable delivery of the parts you have ordered.

1. CYLINDER BLOCK

(A)=L100AE-DEGMS (D)=
 (B)=L100AE-DEGMS (E)=
 (C)= (F)=

REF	LEV	PARTS NO	DESCRIPTION	(A)	(B)	(C)	(D)	(E)	(F)
1		714970-01560	BLOCK ASSY, CYLINDER	1	1				
6		114350-01700	COVER, STARTER	1	1				
7		26106-100122	BOLT M10X 12 PLATED	2	2				
8		105025-01220	NUT 10	2	2				
9		114650-01230	STUD, CYL. HEAD	2	2				
10		114650-01240	STUD, CYL. HEAD	2	2				
11		114650-01250	NUT 10	2	2				
12		114650-01260	WASHER	4	4				
13		114970-01340	GASKET, CYL. HEAD	1	1				
14		114650-01380	O-RING	1	1				
15		114250-01800	SHIM SET	1	1				
20		114250-01830	COVER, INSPEC WINDOW	1	1				
21		114250-01841	GASKET	1	1				
22		114270-01600	PARALLEL PIN 8X12	2	2				
23		26226-060182	STUD M 6X 18 PLATED	1	1				
24		26226-060222	STUD M 6X 22 PLATED	2	2				
25		26366-060002	NUT M 6	3	3				
26		114650-01412	GASKET, CRANK CASE	1	1				
27		114660-01471	COVER (D), CRANK CASE	1	1				
30		114650-02100	BEARING, MAIN	1	1				
32		114250-35150	PIPE, L.O. INLET	1	1				
33		26106-080332	BOLT M 8X 35 PLATED	16	16				
34		105425-01690	PLUG M16	2	2				
35		160910-01740	CAP, W/LUB. OIL GAUGE	2	2				
37		24311-000180	O-RING 1A P-18 0	2	2				
38		22190-160002	SEAL WASHER 16S	2	2				
39		114250-02030	RETAINER, BEARING	1	1				
40		114650-02150	BALL BEARING	1	1				
41		24162-152112	NEEDLE BEARING	1	1				
42		24423-355008	SEAL, OIL	1	1				
43		24423-355008	SEAL, OIL	1	1				
44		26106-080122	BOLT M 8X 12 PLATED	1	1				
45		23871-010000	PLUG PT1/8.SCREW	1	1				
46		114650-02200	MAIN BEARING US=0.25	1	1				
47		114650-02210	MAIN BEARING US=0.50	1	1				
48		183250-39450	SENDER, OIL PRESSURE	1	1				

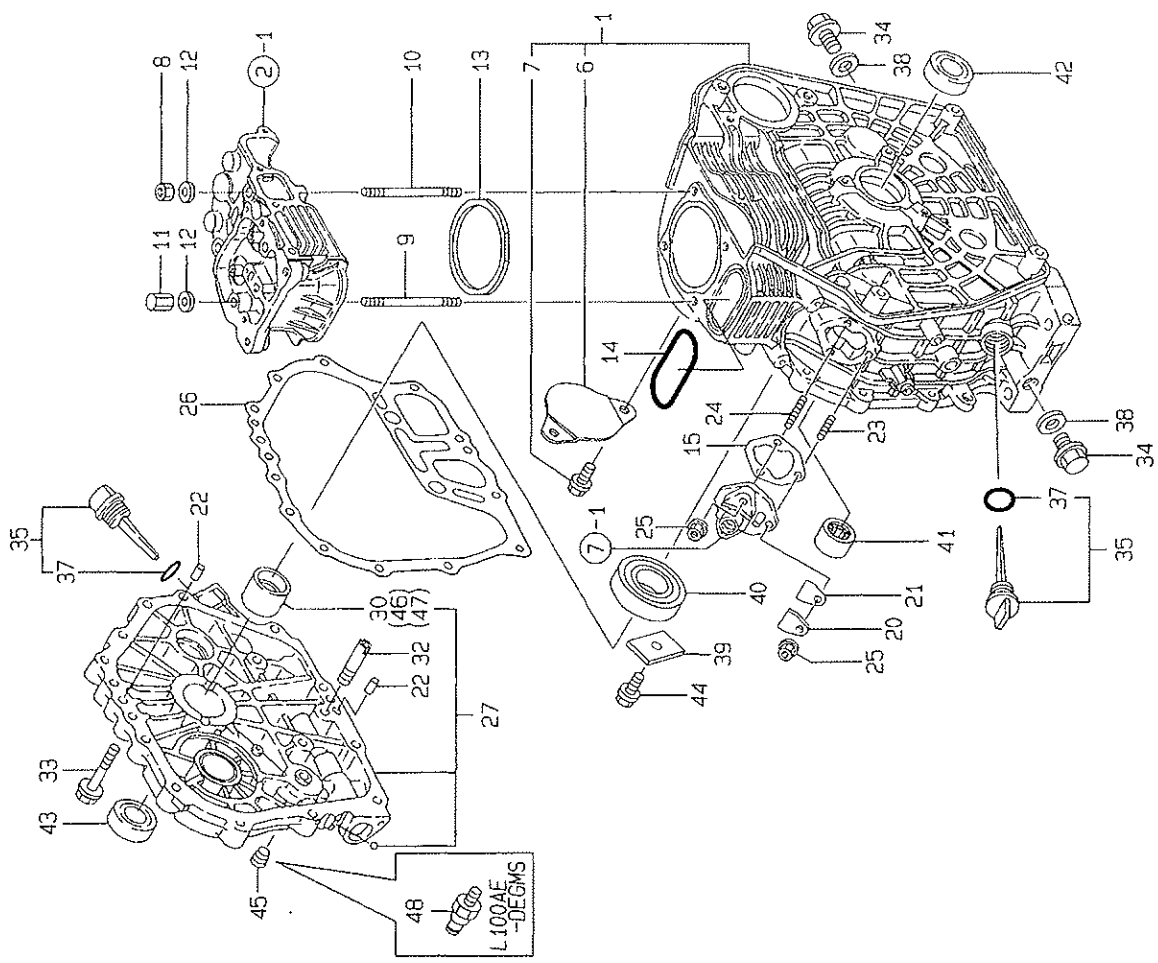


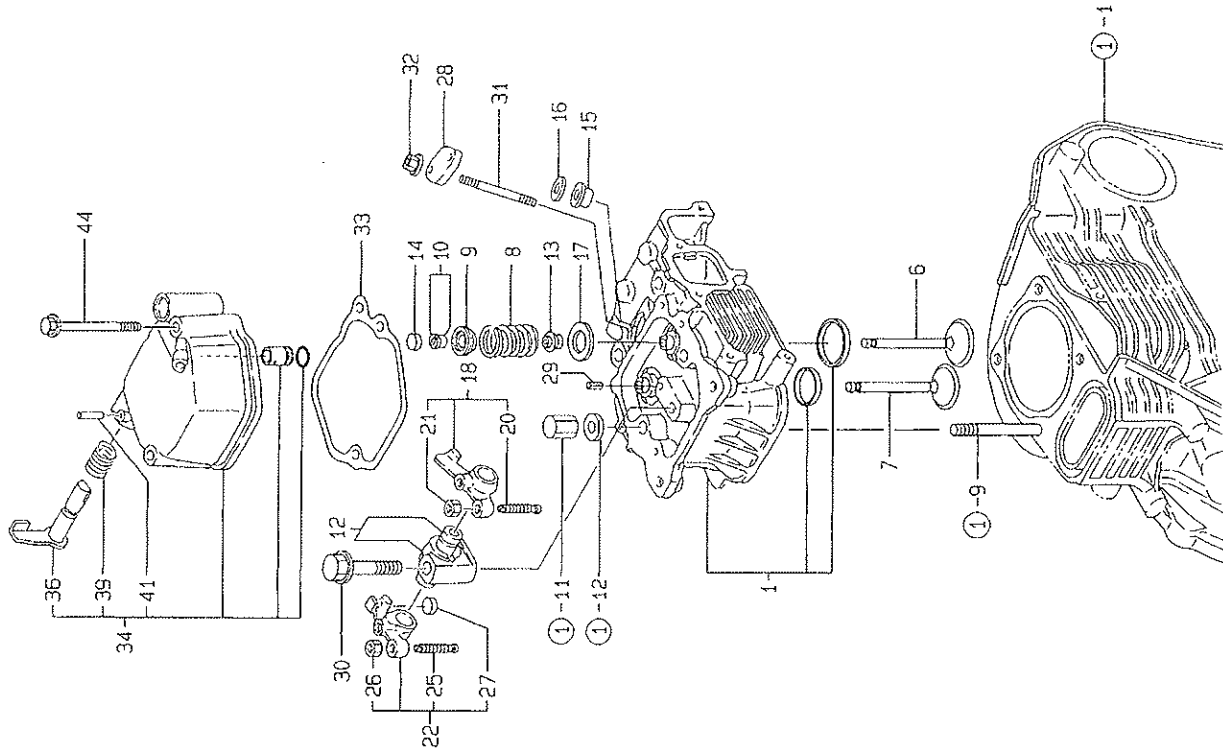
Fig.1.CYLINDER BLOCK

1. CYLINDER BLOCK

Remarks
 (1) REPAIR PART.
 (2) UNDER-SIZE(U S=0.25)PART.
 (3) UNDER-SIZE(U S=0.50)PART.
 (G), THESE PARTS ARE SOLD BY FIG.10.
 REF.NO.25

Fig.2.CYLINDER HEAD & BONNET

2.CYLINDER HEAD & BONNET



(A)=L100AE-DCGMS (D)=
 (B)=L100AE-DEGMS (E)=
 (C)= (F)=

REF	LEV	PARTS NO	DESCRIPTION	QTY	(A)	(B)	(C)	(D)	(E)	(F)
1	1	114650-11010	HEAD ASSY, CYLINDER	1	1					
6	1	114650-11100	VALVE, SUCTION	1	1					
7	1	114654-11110	VALVE, EXHAUST	1	1					
8	1	114650-11121	SPRING, VALVE	2	2					
9	1	119620-11180	RETAINER, SPRING	2	2					
10	1	27310-070001	COTTER ASSY	2	2					
12	1	114650-11261	SUPPORT, ROCKER ARM	1	1					
13	1	114650-11340	SEAL, VALVE STEM	2	2					G
14	1	104211-11370	CAP, VALVE	1	1					
15	1	114250-11460	GASKET, NOZZLE	1	1					G
16	1	114350-11470	SPACER, NOZZLE	1	1					
17	1	114650-11600	WASHER	2	2					
18	1	114650-11652	ARM ASSY, INTAKE	1	1					
20	2	114250-11240	SCREW, VALVE ADJUST.	1	1					
21	2	26756-060002	LOCK NUT M 6 PLATED	1	1					
22	1	714670-11660	ARM ASSY, EXHAUST	1	1					
25	2	114250-11240	SCREW, VALVE ADJUST.	1	1					
26	2	26756-060002	LOCK NUT M 6 PLATED	1	1					
27	2	104211-11370	CAP, VALVE	1	1					
28	1	114250-11900	RETAINER, NOZZLE	1	1					
29	1	22351-040008	SPRING PIN 4X 8	1	1					
30	1	26106-100552	BOLT M10X 55 PLATED	1	1					
31	1	26226-060502	STUD M 6X 50	2	2					
32	1	26366-060002	NUT M 6	2	2					
33	1	114650-11311	GASKET, BONNET	1	1					G
34	1	114650-11951	BONNET ASSY, HEAD	1	1					
36	2	114250-03591	SHAFT ASSY, DECOMP.	1	1					
39	2	114250-03640	SPRING	1	1					
41	2	22312-030160	PARALLEL PIN 3X16	1	1					
44	1	26106-060702	BOLT M 6X 70 PLATED	2	2					

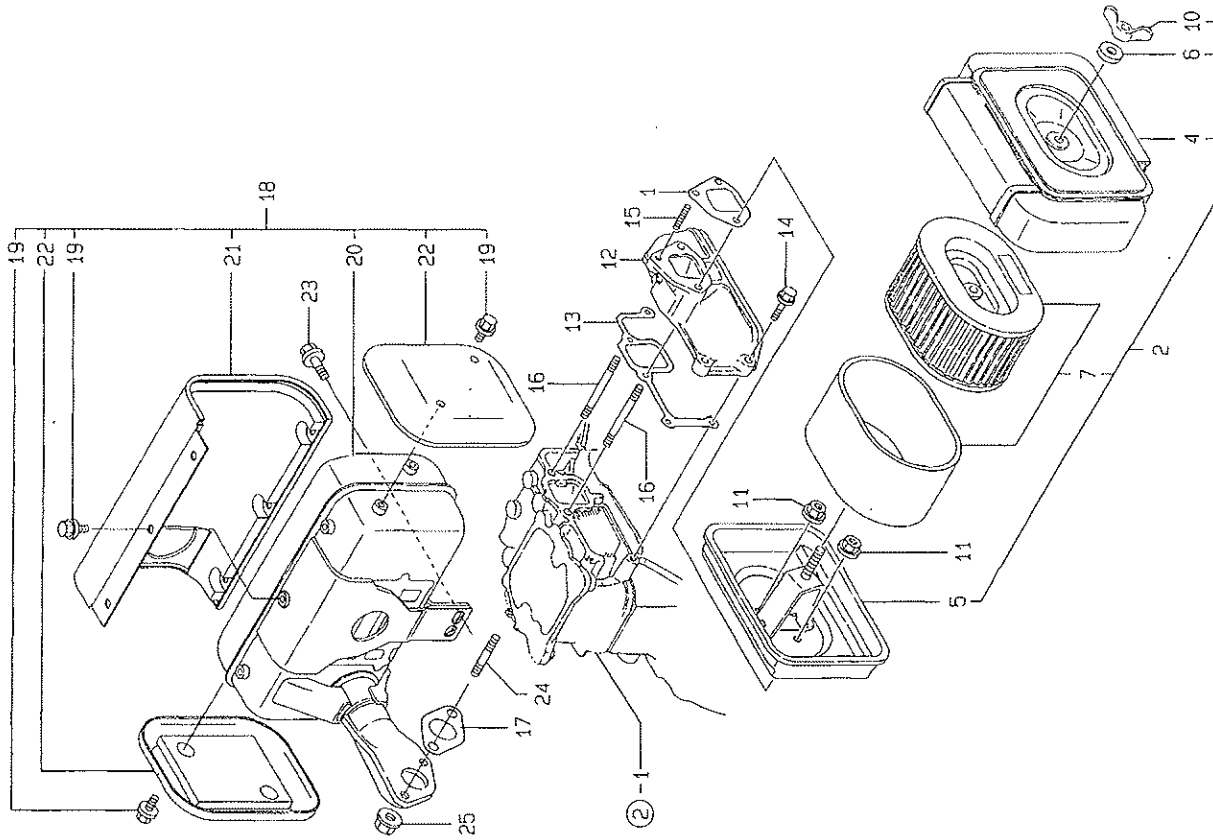
Remarks
 (C) THESE PARTS ARE SOLD BY FIG.10.
 REF NO.25

Fig.3.AIR CLEANER & MUFFLER

3.AIR CLEANER & MUFFLER

(A)=L100AE-DGMS (D)=
 (B)=L100AE-DEGMS (E)=
 (C)= (F)=

REF	LEV	PARTS NO	DESCRIPTION	QTY							
				(A)	(B)	(C)	(D)	(E)	(F)		
1	1	114650-12211	GASKET, AIR CLEANER	1	1						
2	1	714650-12560	CLEANER ASSY, AIR	1	1						G
4	2	114650-12520	COVER, AIR CLEANER	1	1						
5	2	114650-12530	CASE, AIR CLEANER	1	1						
6	2	114252-12560	WASHER M 8, SEAL	1	1						
7	2	114650-12590	ELEMENT W/PRE-FILTER	1	1						
10	2	114252-12550	WING-NUT, M 8	1	1						
11	1	26366-060002	NUT M 6	3	3						
12	1	114650-12020	PIPE, AIR INTAKE	1	1						
13	1	114650-12301	GASKET, AIR INTAKE	1	1						G
14	1	26106-060252	BOLT M 6X 25 PLATED	3	3						
15	1	26226-060142	STUD M 6X 14 PLATED	1	1						
16	1	26226-060752	STUD M 6X 75	2	2						
17	1	114650-13201	GASKET (NON-AS8)	1	1						G
18	1	114970-13550	MUFFLER ASSY	1	1						
19	2	160260-01580	BOLT M 6X 6	10	10						
20	2	114970-13660	MUFFLER	1	1						
21	2	114970-13700	COVER(A), MUFFLER	1	1						
22	2	114970-13710	COVER, MUFFLER	2	2						
23	1	26106-080182	BOLT M 8X 18 PLATED	2	2						
24	1	26226-080202	STUD M 8X 20 PLATED	2	2						
25	1	26366-080002	NUT M 8	2	2						



Remarks
 (G) THESE PARTS ARE SOLD BY FIG. 10.
 REF. NO 25

Y00V5250

4. CRANKSHAFT, PISTON & CAMSHAFT

Fig. 4. CRANKSHAFT, PISTON & CAMSHAFT

4. CRANKSHAFT, PISTON & CAMSHAFT

(A)=L100AE-DGMS (D)=
 (B)=L100AE-DEGMS (E)=
 (C)= (F)=

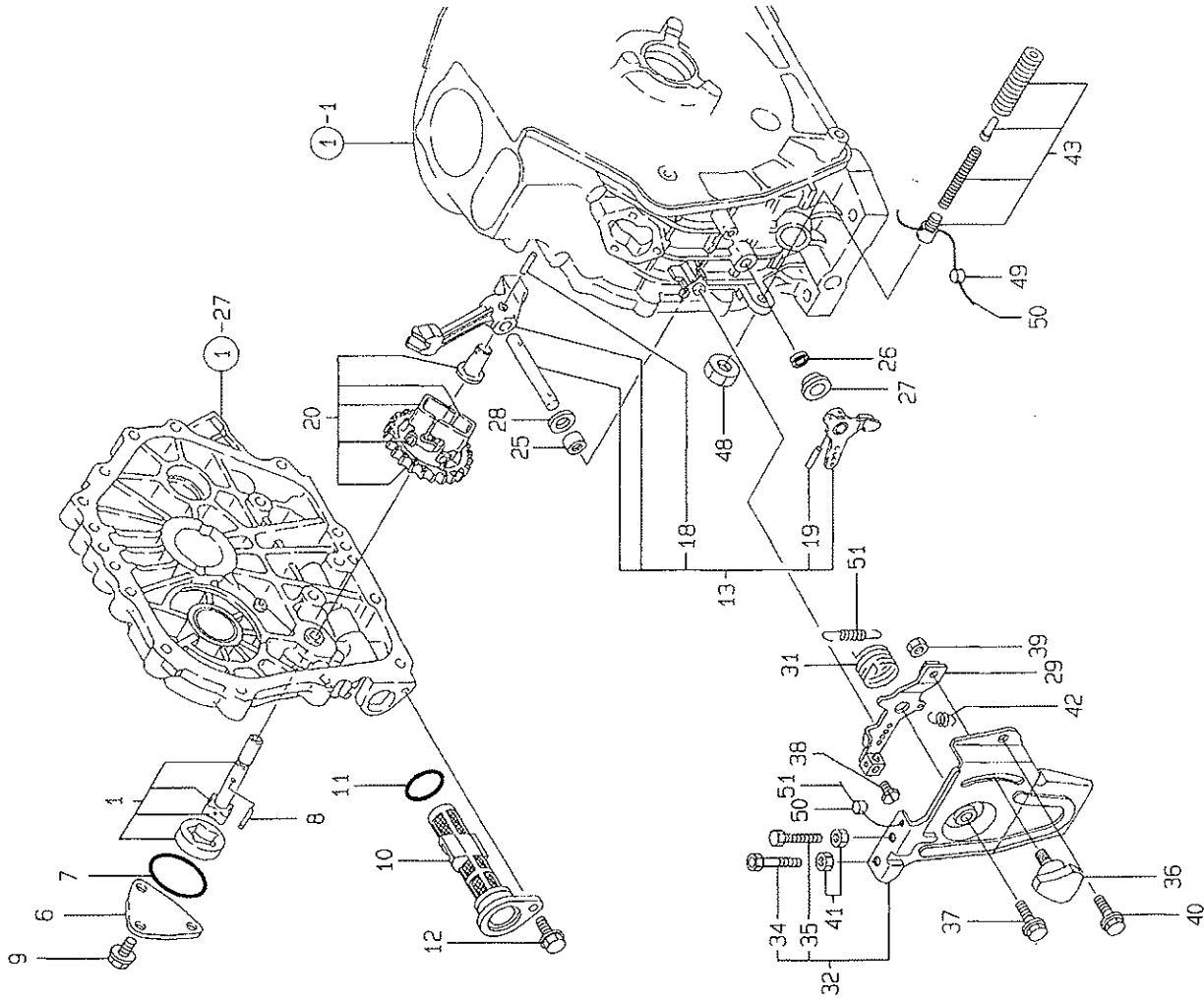
REF	LEV	PARTS NO	DESCRIPTION	QTY	(A)	(B)	(C)	(D)	(E)	(F)
1	1	714689-14560	CAMSHAFT (D) ASSY	1	1					
6	1	114650-14200	TAPPET	2	2					
7	1	114250-14260	TAPPET, FUEL	1	1					
8	1	114650-14401	ROD, PUSH	2	2					
12	1	714689-21730	CRANKSHAFT ASY. (DGMO)	1	1					
20	1	122710-01220	NUT M18	1	1					
21	1	114650-21551	WASHER, FLYWHEEL	1	1					
22	1	114660-21401	FLYWHEEL (D)	1	1					
24	1	114662-21592	FLYWHEEL W/RING GEAR	1	1					
27	2	114662-21601	GEAR, RING	1	1					
28	1	22512-050140	KEY 5X 14	1	1					
29	1	714980-22720	PISTON W/RINGS	1	1					
31	2	714970-22500	RING SET, PISTON	1	1					
37	1	114650-22300	PIN, PISTON D=23	1	1					
38	1	129792-22400	CIRCLIP, 23	2	2					
39	1	714650-23700	ROD ASSY, CONNECTING	1	1					
42	2	124060-23100	BUSH, PISTON PIN	1	1					
43	2	104200-23201	BOLT, ROD	2	2					
44	2	714650-23600	BEARING, CRANKPIN	1	1					
46	1	714970-28511	SHAFT ASSY, BALANCER	1	1					
51	1	24101-062034	BALL BEARING	1	1					
52	1	24101-063034	BALL BEARING	1	1					
53	1	714980-22620	PISTON W/RING OS=0.25	1	1					
55	2	714970-22540	RING SET O.S=0.25	1	1					
59	1	714980-22580	PISTON W/RING OS=0.5	1	1					
61	2	714970-22550	RING SET O.S=0.50	1	1					
65	1	714650-23610	BEARING, PIN(U.S=0.25)	1	1					
67	1	714650-23620	BEARING, PIN(U.S=0.50)	1	1					

Remarks
 (1)OVER-SIZE(O.S=0.25)PART.
 (2)OVER-SIZE(O.S=0.50)PART.
 (3)UNDER-SIZE(U.S=0.25)PART.
 (4)UNDER-SIZE(U.S=0.50)PART.

(C)Copy Rights YANMAR CO. LTD and YANMAR AGRICULTURAL EQUIPMENT CO. LTD

Fig.5.LUB.OIL PUMP & GOVERNOR

5.LUB.OIL PUMP & GOVERNOR



(A)=L100AE-DGMS (D)=
 (B)=L100AE-DEGMS (E)=
 (C)= (F)=

REF	LEV	PARTS NO	DESCRIPTION	(A)	(B)	(C)	(D)	(E)	(F)
1	1	114650-32010	PUMP ASSY. LUB OIL	1	1				
6	1	114250-32070	COVER, LUB OIL PUMP	1	1				
7	1	103338-32570	O-RING	1	1				
8	1	22312-030160	PARALLEL PIN 3X16	1	1				
9	1	26476-060142	BOLT M 6X 14, TAPPING	3	3				
10	1	114250-35070	STRAINER, LUB. OIL	1	1				
11	1	24341-000224	O-RING 1A S-22.4	1	1				
12	1	26106-060162	BOLT M 6X 16 PLATED	1	1				
13	1	714650-61500	LEVER ASSY. GOVERNOR	1	1				
18	2	22322-030200	TAPER PIN 3X20	1	1				
19	2	22322-030200	TAPER PIN 3X20	1	1				
20	1	714685-61700	GOVERNOR ASSY	1	1				
25	1	114270-61520	NEEDLE BEARING FJ810	2	2				
26	1	114770-61600	SEAL OIL	1	1				
27	1	114770-61610	WASHER, THRUST	1	1				
28	1	114770-61190	WASHER	1	1				
29	1	114250-66050	HANDLE, REGULATOR	1	1				
31	1	114252-66252	SPRING, RETURN	1	1				
32	1	114268-66500	BRACKET ASSY, REGULAT	1	1				
34	2	114250-66440	BOLT, ADJUSTING	1	1				
35	2	102100-67080	BOLT, ADJUSTING	1	1				
36	1	160725-78350	KNOB (W/M8X15)	1	1				
37	1	26106-060202	BOLT M 6X 20 PLATED	1	1				
38	1	26117-040088	BOLT M 4X 8 PLATED	1	1				
39	1	26347-060002	U-NUT M 6	1	1				
40	1	26476-060142	BOLT M 6X 14, TAPPING	1	1				
41	1	26757-060002	NUT M 6	2	2				
42	1	114250-66200	SPRING, RETURN	1	1				
43	1	114650-66600	TORQUE SPRING ASSY	1	1				
48	1	26696-100002	NUT M10	1	1				
49	1	135210-61090	LEAD	2	2				
50	1	22451-060000	WIRE 0.6	2	2				
51	1	114970-66010	SPRING, REGULATOR	1	1				

Remarks
 (G) THESE PARTS ARE SOLD BY FIG. 10.
 REF. NO. 25.

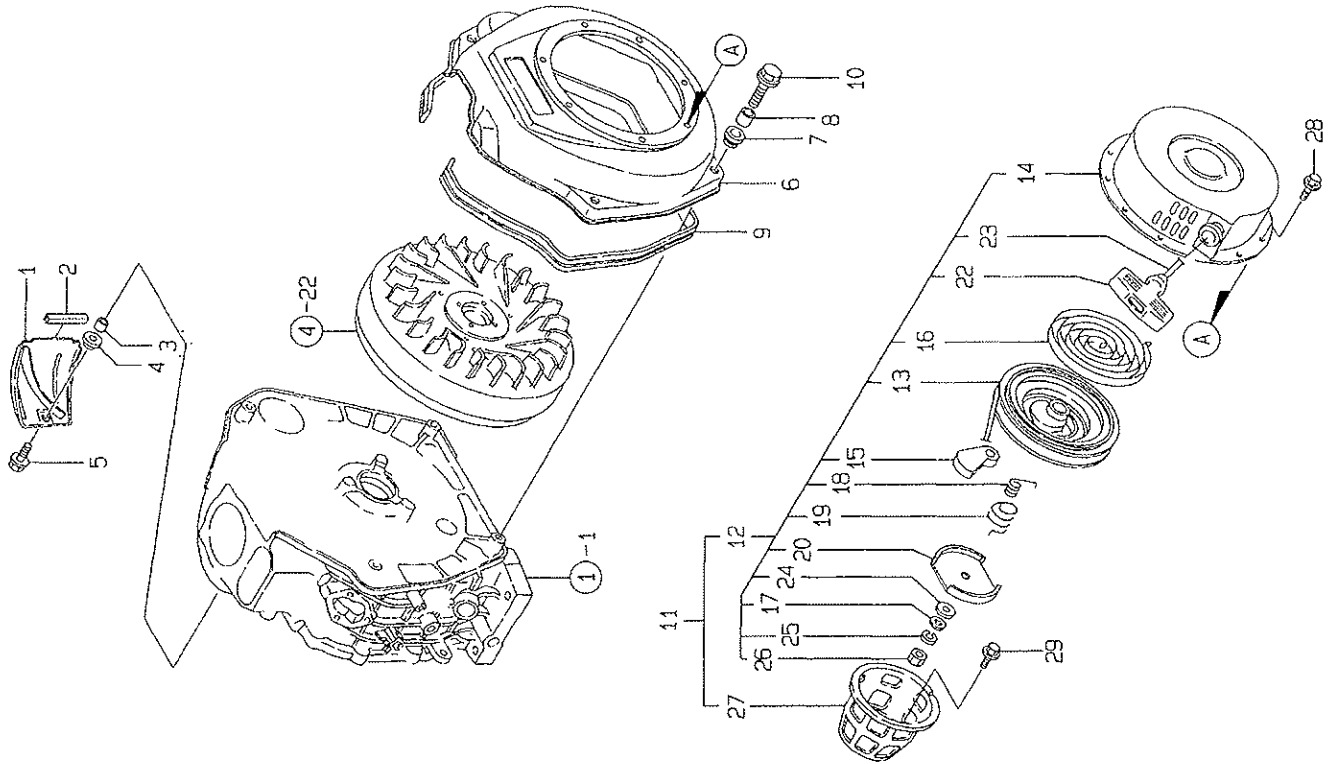
Fig.6.COOLING & STARTING DEVICE

6.COOLING & STARTING DEVICE

(A)=L100AE-DCMS (D)=
 (B)=L100AE-DEGMS (E)=
 (C)= (F)=

REF	LEV	PARTS NO	DESCRIPTION	QTY					
				(A)	(B)	(C)	(D)	(E)	(F)
1	1	114650-45201	COVER	1	1				
2	1	114350-45320	RUBBER, SEAL	1	1				
3	1	114350-45340	COLLAR	1	1				
4	1	183720-55210	GROMMET	1	1				
5	1	26476-06020	BOLT M 6X 20 TAPPING	1	1				
6	1	114668-45102	CASE,FAN(SILVER)(17)	1	1				
7	1	114250-45301	RUBBER, CUSHION	4	4				
8	1	114250-45310	COLLAR	4	4				
9	1	114650-45330	SEAL, FAN CASE	1	1				
10	1	114370-45350	BOLT, FAN CASE	4	4				
11	1	114660-76050	RECOIL STARTER(D)ASY	1	1				
12	2	114660-76250	RECOIL STARTER(D)ASY	1	1				
13	3	114650-76520	REEL, RECOIL	1	1				
14	3	114660-76530	CASE (D) W/NO LABEL	1	1				
15	3	160910-76530	RATCHET	1	1				
16	3	114650-76540	SPRING, SPIRAL	1	1				
17	3	160910-76550	WASHER, THRUST	1	1				
18	3	160910-76550	SPRING, FRICTION	1	1				
19	3	160910-76570	SPRING, RETURN	1	1				
20	3	160910-76580	PLATE, FRICTION	1	1				
22	3	160910-76620	KNOB, STARTER	1	1				
23	3	114650-76630	ROPE, RECOIL STARTER	1	1				
24	3	160910-76650	WASHER (B)	1	1				
25	3	22217-060000	SPRING WASHER 6	1	1				
26	3	26717-060002	NUT M 6	1	1				
27	2	114660-76590	PULLEY, STARTER	1	1				
28	1	26106-060082	BOLT M 6X 8 PLATED	4	4				
29	1	26106-060122	BOLT M 6X 12 PLATED	4	4				

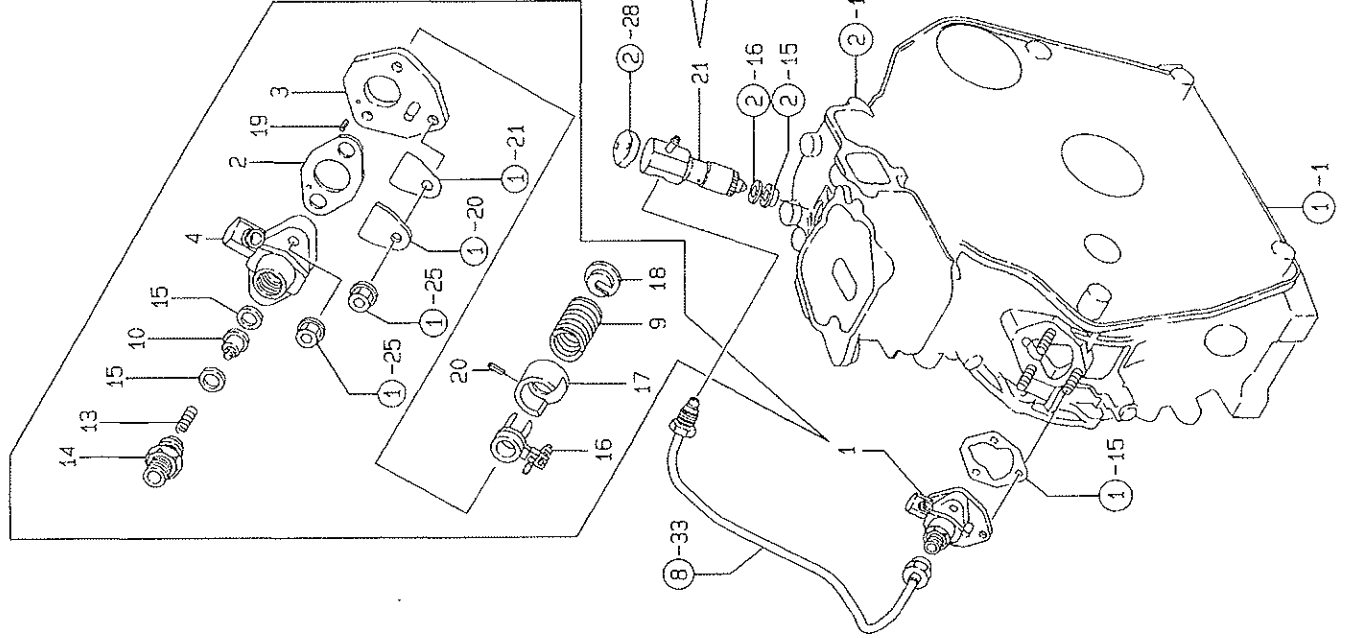
6.COOLING & STARTING DEVICE



7.FUEL INJECTION PUMP

Fig.7.FUEL INJECTION PUMP

7.FUEL INJECTION PUMP



(A)=L100AE-DGMS (D)=
 (B)=L100AE-DEGMS (E)=
 (C)= (F)=

REF	LEV	PARTS NO	DESCRIPTION	QTY						
				(A)	(B)	(C)	(D)	(E)	(F)	
1	1	714970-51700	PUMP ASSY, F INJECT.	1	1					
2	2	105546-51020	GASKET	1	1					
3	2	114250-51080	PLATE	1	1					
4	2	114970-51100	BODY, F. I. PUMP	1	1					
9	2	114250-51160	SPRING	1	1					
10	2	114650-51300	VALVE ASSY, DELIVERY	1	1					
13	2	105546-51330	SPRING, DELIV. VALVE	1	1					
14	2	114250-51340	HOLDER, F.I.P. DELIVE	1	1					
15	2	124550-51350	GASKET, DELIVERY	2	2					
16	2	114250-51600	LEVER ASSY, CONTROL	1	1					
17	2	114250-51640	SEAT (A), SPRING	1	1					
18	2	114250-51650	SEAT (B), SPRING	1	1					
19	2	22351-020006	SPRING PIN 2X 6	2	2					
20	2	22351-030008	SPRING PIN 3X 8	1	1					
21	1	714650-53100	VALVE ASSY, F INJECT	1	1					
22	2	114650-53000	NOZZLE ASSY, F INJECT	1	1					
25	2	114250-53080	NUT, NOZZLE CASE	1	1					
26	2	114250-53120	SPRING, NOZZLE	1	1					
27	2	114250-53130	SEAT, NOZZLE SPRING	1	1					
28	2	114250-53140	PLATE, STOP	1	1					
29	2	114250-53210	PIN	2	2					
30	2	114650-53300	HOLDER ASSY, NOZZLE	1	1					
33	3	114250-53331	PIN, SPRING	1	1					
34	2	114250-53400	SHIM PACK	1	1					

8.FUEL TANK & FUEL LINE

(A)=L100AE-DGMS (D)=
 (B)=L100AE-DEGMS (E)=
 (C)= (F)=

..... QTY I R

REF LEV PARTS NO DESCRIPTION

REF	LEV	PARTS NO	DESCRIPTION	(A)	(B)	(C)	(D)	(E)	(F)
1	1	714650-55701	TANK, FUEL (RED)(50)	1	1				
3	2	114250-55041	CAP ASSY, TANK	1	1				
4	3	114250-55050	GASKET, TANK CAP	1	1				
5	3	114250-55060	SEAL	1	1				
7	3	114250-55080	SHEET, FUEL CAP	1	1				
8	2	114250-55100	FILTER, FUEL	1	1				
9	2	114650-55150	PIPE, GAUGE	1	1				
10	2	124722-59050	CLAMP 9	2	2				
11	2	23414-120000	GASKET 12, ROUND	1	1				
12	2	23887-120002	PLUG 12, HEX	1	1				
13	2	114250-55201	DAMPER, FUEL TANK	4	4				
14	1	114250-55121	FILTER, FUEL OIL	1	1				
15	2	114250-55130	GASKET	1	1				
16	1	114250-55211	STAY (A)	1	1				
17	1	114650-55230	STAY (B)	1	1				
18	1	114250-55300	COCK ASSY, FUEL	1	1				
19	2	24341-000150	O-RING 1A S-15.0	1	1				
20	1	114650-59850	BRACKET, PIPE	1	1				
21	1	114650-55810	BOLT, LIFTING	1	1				
22	1	114250-59050	PIPE, FUEL OIL	1	1				
23	1	22117-080000	WASHER 8	1	1				
24	1	26106-080452	BOLT M 8X 45 PLATED	1	1				
25	1	26366-060002	NUT M 6	2	2				
26	1	26476-060142	BOLT M 6X 14 TAPPING	2	2				
27	1	106990-44660	BAND, HOSE	2	2				
28	1	114652-59300	PIPE, FUEL RETURN	1	1				
29	2	124722-59050	CLAMP 9	2	2				
30	2	114250-59060	PIPE, FUEL RETURN	1	1				
31	2	114652-59310	TUBE, PROTECT	1	1				
32	2	121750-59890	RETAINER	1	1				
33	1	114650-59800	PIPE, FUEL INJECTION	1	1				

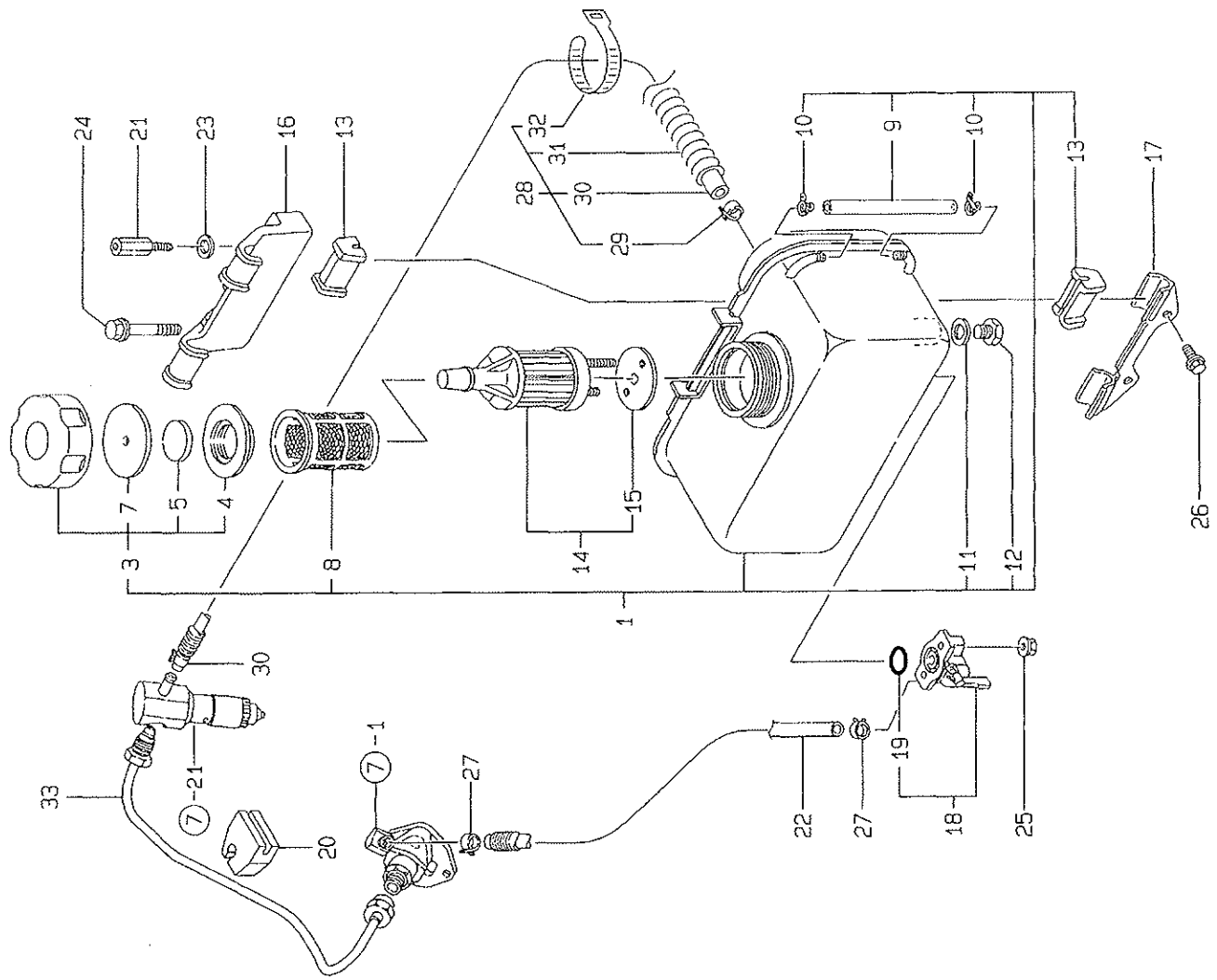
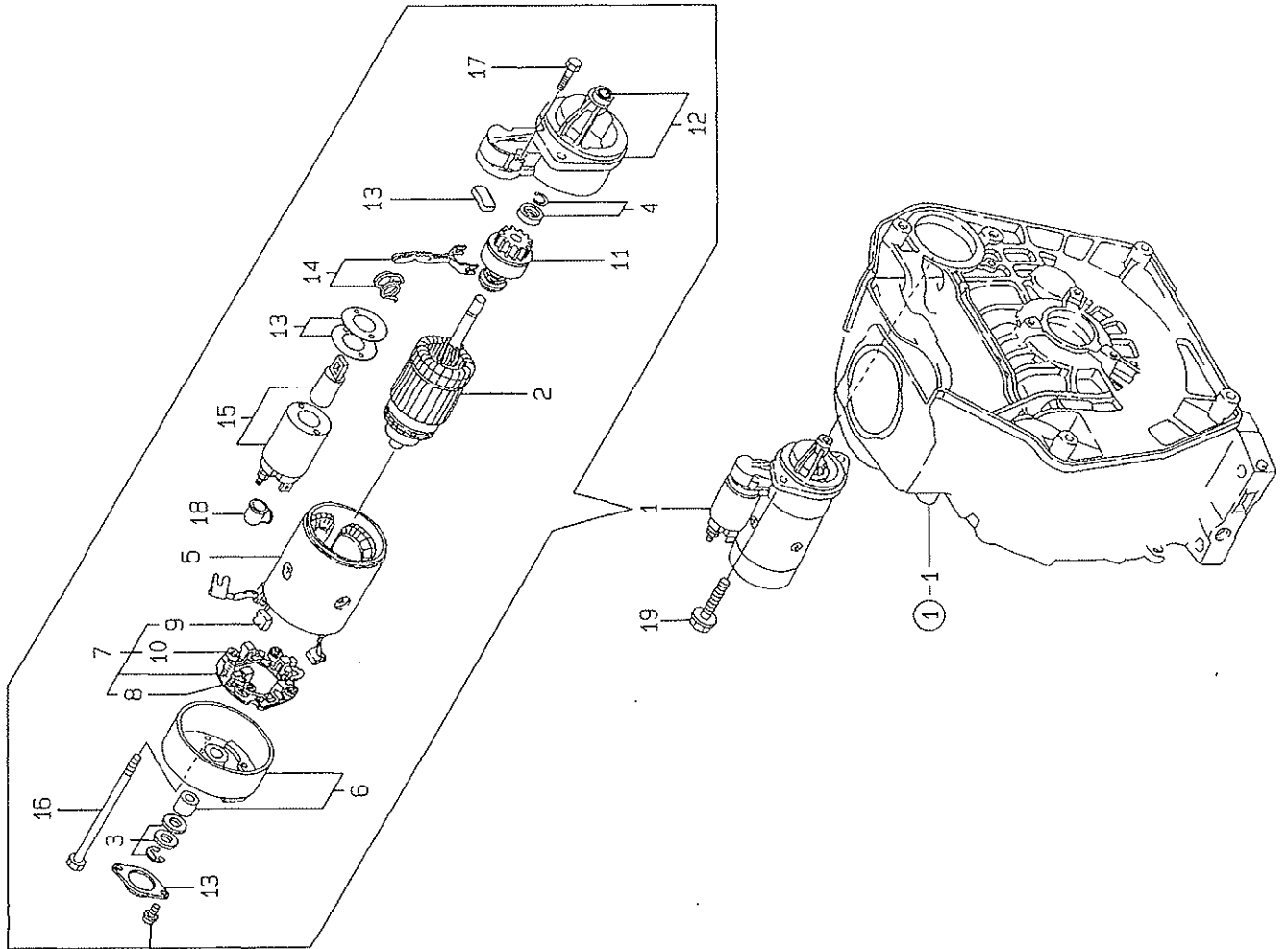


Fig.8.FUEL TANK & FUEL LINE

8.FUEL TANK & FUEL LINE

Fig.9.STARTING MOTOR

9. STARTING MOTOR



9.STARTING MOTOR

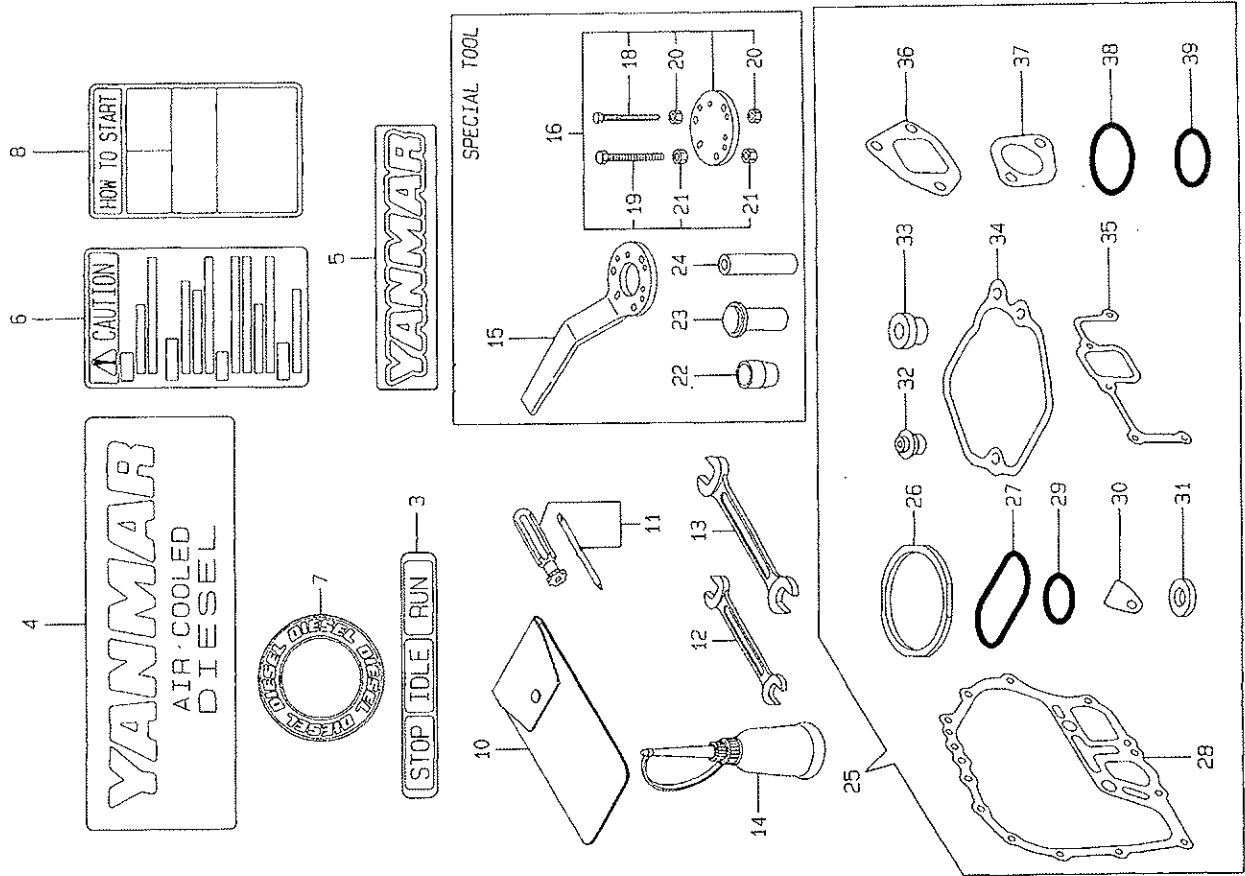
(A)=L100AE-DGMS
(B)=L100AE-DEGMS
(C)=

QTY
(D)
(E)
(F)

REF	LEV	PARTS NO	DESCRIPTION	(A)	(B)	(C)	(D)	(E)	(F)
1	1	114362-77011	STARTER (S114-414A)	1					
2	2	114381-77110	ARMATURE	1					
3	2	X211481000	WASHER KIT, THRUST	1					
4	2	X2114715500	STOPPER SET, PINION	1					
5	2	114381-77130	COIL ASSY, FIELD	1					
6	2	114381-77140	COVER, REAR	1					
7	2	114371-77160	HOLDER ASSY, BRUSH	1					
8	3	114371-79040	BRUSH (-)	2					
9	3	114371-79050	BRUSH (+)	1					
10	3	114371-79060	SPRING, BRUSH	4					
11	2	X2114455080	PINION ASSY	1					
12	2	114381-77150	HOUSING ASSY, GEAR	1					
13	2	114371-77170	COVER KIT, DUST	1					
14	2	X2114560130	LEVER KIT, SHIFT	1					
15	2	X2114275010	SWITCH ASSY, MAGNET	1					
16	2	X2114680050	BOLT, THROUGH	2					
17	2	114371-79070	BOLT M 6X 37	2					
18	2	X2114274200	COVER, TERMINAL	1					
19	1	26106-100302	BOLT M10X 30 PLATED	2					

Fig.10.TOOL,LABEL & GASKET SET

10. TOOL, LABEL & GASKET SET



10.TOOL,LABEL & GASKET SET

(A)=L100AE-DCMS (D)=
 (B)=L100AE-DEGMS (E)=
 (C)= (F)=

QTY (A) (B) (C) (D) (E) (F)

REF LEV PARTS NO DESCRIPTION

REF	LEV	PARTS NO	DESCRIPTION	(A)	(B)	(C)	(D)	(E)	(F)
3	1	183250-07230	LABEL, OPERATION	1					
4	1	114250-07090	LABEL, AIR COOLED	1	1				
5	1	114250-07111	LABEL, YANMAR	1	1				
6	1	114268-07240	LABEL, CAUTION	1	1				
7	1	114261-07350	LABEL	1	1				
8	1	114268-07350	LABEL, HOW TO START	1	1				
10	1	114250-92600	BAG, TOOL	1	1				
11	1	160330-92730	SCREWDRIVER	1	1				
12	1	28110-100120	WRENCH 10X12	1	1				
13	1	28110-140170	WRENCH 14X17	1	1				
14	1	28210-000150	FEEDER, OIL	1	1				
15	1	114250-92101	F.W. LOCKING HANDLE	1	1				
16	1	114250-92130	REMOVER, FLYWHEEL	1	1				
18	2	26116-060454	BOLT M 6X 45 PLATED	4	4				
19	2	26116-080454	BOLT M 8X 45 PLATED	3	3				
20	2	26716-060002	NUT M6	8	8				
21	2	26716-080002	NUT M 8	6	6				
22	1	114661-92300	GUIDE, OIL SEAL	1	1				
23	1	114650-92310	INSTALLING TOOL	1	1				
24	1	114650-92350	INSTALLING TOOL	1	1				
25	1	714988-92600	GASKET SET	1	1				
26	2	114970-01340	GASKET, CYL. HEAD	1	1				
27	2	114650-01380	O-RING	1	1				
28	2	114650-01412	GASKET, CRANK CASE	1	1				
29	2	24311-000180	O-RING 1A P-18 0	2	2				
30	2	114250-01841	GASKET	1	1				
31	2	22190-160002	SEAL WASHER 16S	2	2				
32	2	114650-11340	SEAL, VALVE STEM	2	2				
33	2	114250-11460	GASKET, NOZZLE	1	1				
34	2	114650-11311	GASKET, BONNET	1	1				
35	2	114650-12301	GASKET, AIR INTAKE	1	1				
36	2	114650-12211	GASKET, AIR CLEANER	1	1				
37	2	114650-13201	GASKET (NON-ASB)	1	1				
38	2	103338-32570	O-RING	1	1				
39	2	24341-000224	O-RING 1A S-22 4	1	1				

Remarks
 (1) OPTIONAL PART.